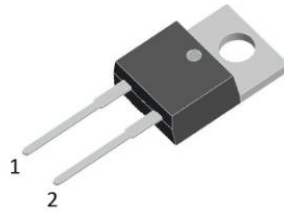


TO-220-Isolation Packing information

B135, Rev. -

1. Finish Goods PKG photo



2. Packing method

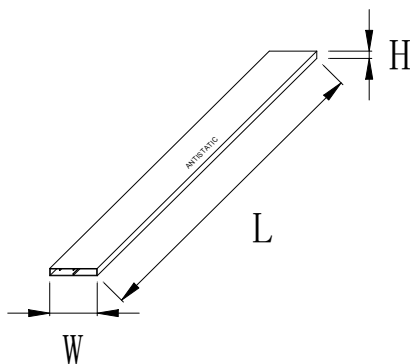
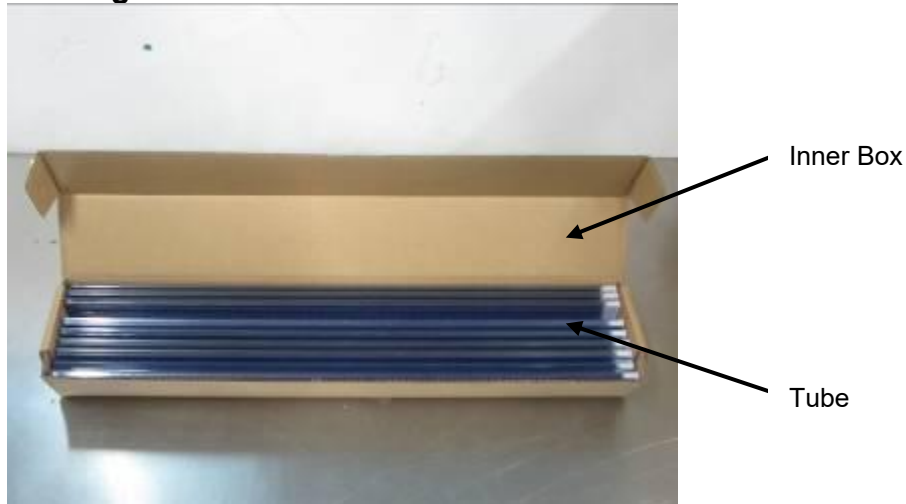


Fig.1- Tube pack for TO-220AC

Table 1. Packing information

Package version	Tube dimensions L×W×H (mm)	Per Tube (pcs)	Tube Weight (Kg)	Tube per box	Inner box dimensions L×W×H (mm)	Inner box weight (Kg)	Outer box dimensions L×W×H (mm)	Outer box (pcs)	Outer box weight (Kg)
TO-220-Isolation	530*32*7	50	0.13	20	555*84*75	2.7	570*284*185	5K	21.6

3. Product orientation

Standard product orientation TO-220-Isolation



→
direction of feed

Fig 2. Product orientation in Tube